



## SSCZXXXHD1 Series

### Zener Voltage Regulator

#### ● Description

The SSCZXXXHD1 is packaged in a SOD-123 surface mount package that has a power dissipation of 500mW. They are designed to provide voltage regulation protection and are especially attractive in situations where space is at a premium. It is applicable to mobile phones, hand-held portable devices, high-density PC boards.

#### ● Feature

- ✧ Low profile package
- ✧ Ideal for automated placement
- ✧ Low Zener Impedance
- ✧ Steady state power rating of 500mW
- ✧ RoHS compliant transient

#### ● Applications

- ✧ Hand held portables
- ✧ Cellular phones
- ✧ High density PC boards

#### ● PIN configuration



**SOD-123**



**Circuit diagram**

#### ● Mechanical data

- ✧ Package: SOD-123
- ✧ Lead finish:100% matte Sn(Tin)
- ✧ Mounting position: Any
- ✧ Qualified max reflow temperature:260℃
- ✧ Device meets MSL 3 requirements
- ✧ Pure tin plating: 7 ~ 17 um
- ✧ Pin flatness:≤3mil

#### ● Absolute maximum rating @T<sub>A</sub>=25℃

| Parameter                              | Symbol           | Value    | Unit |
|--|------------------|----------|------|
| Total Device Dissipation FR-5 Board    | P <sub>D</sub>   | 500      | mW   |
| Thermal Resistance,Junction-to-Ambient | R <sub>θJA</sub> | 340      | ℃/W  |
| Storage Temperature                    | T <sub>STG</sub> | -55/+150 | ℃    |
| Operating Temperature                  | T <sub>J</sub>   | -55/+150 | ℃    |



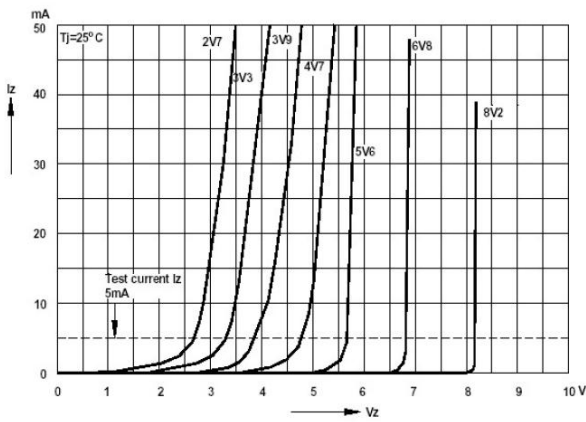
● Electrical Characteristics @T<sub>A</sub>=25°C

| Device     | Marking | Zener Voltage Range              |        |        |                 | Maximum Zener Impedance          |                                  |                 | Maximum Reverse Current |                | Typical Temperature coefficient @ I <sub>ZTC</sub> =mV/°C |      | Test Current I <sub>ZTC</sub> |
|------------|---------|----------------------------------|--------|--------|-----------------|----------------------------------|----------------------------------|-----------------|-------------------------|----------------|---|------|-------------------------------|
|            |         | V <sub>Z</sub> @ I <sub>ZT</sub> |        |        | I <sub>ZT</sub> | Z <sub>ZT</sub> @I <sub>ZT</sub> | Z <sub>ZK</sub> @I <sub>ZK</sub> | I <sub>ZK</sub> | I <sub>R</sub>          | V <sub>R</sub> | Min   | Max  |                               |
|            |         | Nom(V)                           | Min(V) | Max(V) | mA              | Ω                                |                                  | mA              | μA                      | V              | Min   | Max  |                               |
| SSCZ2V4HD1 | WX      | 2.4                              | 2.2    | 2.6    | 5               | 100                              | 600                              | 1.0             | 50                      | 1.0            | -3.5  | 0    | 5                             |
| SSCZ2V7HD1 | W1      | 2.7                              | 2.5    | 2.9    | 5               | 100                              | 600                              | 1.0             | 20                      | 1.0            | -3.5  | 0    | 5                             |
| SSCZ3V0HD1 | W2      | 3.0                              | 2.8    | 3.2    | 5               | 95                               | 600                              | 1.0             | 10                      | 1.0            | -3.5  | 0    | 5                             |
| SSCZ3V3HD1 | W3      | 3.3                              | 3.1    | 3.5    | 5               | 95                               | 600                              | 1.0             | 5                       | 1.0            | -3.5  | 0    | 5                             |
| SSCZ3V6HD1 | W4      | 3.6                              | 3.4    | 3.8    | 5               | 90                               | 600                              | 1.0             | 5                       | 1.0            | -3.5  | 0    | 5                             |
| SSCZ3V9HD1 | W5      | 3.9                              | 3.7    | 4.1    | 5               | 90                               | 600                              | 1.0             | 3                       | 1.0            | -3.5  | 0    | 5                             |
| SSCZ4V3HD1 | W6      | 4.3                              | 4.0    | 4.6    | 5               | 90                               | 600                              | 1.0             | 3                       | 1.0            | -3.5  | 0    | 5                             |
| SSCZ4V7HD1 | W7      | 4.7                              | 4.4    | 5.0    | 5               | 80                               | 500                              | 1.0             | 3                       | 2.0            | -3.5  | 0.2  | 5                             |
| SSCZ5V1HD1 | 5V1H    | 5.1                              | 4.8    | 5.4    | 5               | 60                               | 480                              | 1.0             | 2                       | 2.0            | -2.7  | 1.2  | 5                             |
| SSCZ5V6HD1 | W9      | 5.6                              | 5.2    | 6.0    | 5               | 40                               | 400                              | 1.0             | 1                       | 2.0            | -2.0  | 2.5  | 5                             |
| SSCZ6V2HD1 | WA      | 6.2                              | 5.8    | 6.6    | 5               | 10                               | 150                              | 1.0             | 3                       | 4.0            | 0.4   | 3.7  | 5                             |
| SSCZ6V8HD1 | WB      | 6.8                              | 6.4    | 7.2    | 5               | 15                               | 80                               | 1.0             | 2                       | 4.0            | 1.2   | 4.5  | 5                             |
| SSCZ7V5HD1 | WC      | 7.5                              | 7.0    | 7.9    | 5               | 15                               | 80                               | 1.0             | 1                       | 5.0            | 2.5   | 5.3  | 5                             |
| SSCZ8V2HD1 | WD      | 8.2                              | 7.7    | 8.7    | 5               | 15                               | 80                               | 1.0             | 0.7                     | 5.0            | 3.2   | 6.2  | 5                             |
| SSCZ9V1HD1 | WE      | 9.1                              | 8.5    | 9.6    | 5               | 15                               | 100                              | 1.0             | 0.5                     | 6.0            | 3.8   | 7.0  | 5                             |
| SSCZ10VHD1 | WF      | 10                               | 9.4    | 10.6   | 5               | 20                               | 150                              | 1.0             | 0.2                     | 7.0            | 4.5   | 8.0  | 5                             |
| SSCZ11VHD1 | WG      | 11                               | 10.4   | 11.6   | 5               | 20                               | 150                              | 1.0             | 0.1                     | 8.0            | 5.4   | 9.0  | 5                             |
| SSCZ12VHD1 | WH      | 12                               | 11.4   | 12.7   | 5               | 25                               | 150                              | 1.0             | 0.1                     | 8.0            | 6.0   | 10.0 | 5                             |
| SSCZ13VHD1 | WI      | 13                               | 12.4   | 14.1   | 5               | 30                               | 170                              | 1.0             | 0.1                     | 8.0            | 7.0   | 11.0 | 5                             |
| SSCZ15VHD1 | WJ      | 15                               | 13.8   | 15.6   | 5               | 30                               | 200                              | 1.0             | 0.1                     | 10.5           | 9.2   | 13.0 | 5                             |
| SSCZ16VHD1 | WK      | 16                               | 15.3   | 17.1   | 5               | 40                               | 200                              | 1.0             | 0.1                     | 11.2           | 10.4  | 14.0 | 5                             |
| SSCZ18VHD1 | WL      | 18                               | 16.8   | 19.1   | 5               | 45                               | 225                              | 1.0             | 0.1                     | 12.6           | 12.4  | 16.0 | 5                             |
| SSCZ20VHD1 | WM      | 20                               | 18.8   | 21.2   | 5               | 55                               | 225                              | 1.0             | 0.1                     | 14.0           | 14.4  | 18.0 | 5                             |
| SSCZ22VHD1 | WN      | 22                               | 20.8   | 23.3   | 5               | 55                               | 250                              | 1.0             | 0.1                     | 15.4           | 16.4  | 20.0 | 5                             |
| SSCZ24VHD1 | WO      | 24                               | 22.8   | 25.6   | 5               | 70                               | 250                              | 1.0             | 0.1                     | 16.8           | 18.4  | 22.0 | 5                             |
| SSCZ27VHD1 | WP      | 27                               | 25.1   | 28.9   | 2               | 80                               | 300                              | 0.5             | 0.1                     | 18.9           | 21.4  | 25.3 | 2                             |
| SSCZ30VHD1 | WQ      | 30                               | 28.0   | 32.0   | 2               | 80                               | 300                              | 0.5             | 0.1                     | 21.0           | 24.4  | 29.4 | 2                             |
| SSCZ33VHD1 | WR      | 33                               | 31.0   | 35.0   | 2               | 80                               | 325                              | 0.5             | 0.1                     | 23.1           | 27.4  | 33.4 | 2                             |
| SSCZ36VHD1 | WS      | 36                               | 34.0   | 38.0   | 2               | 90                               | 350                              | 0.5             | 0.1                     | 25.2           | 30.4  | 37.4 | 2                             |
| SSCZ39VHD1 | WT      | 39                               | 37.0   | 41.0   | 2               | 130                              | 350                              | 0.5             | 0.1                     | 27.3           | 33.4  | 41.2 | 2                             |
| SSCZ43VHD1 | WU      | 43                               | 40.0   | 46.0   | 2               | 150                              | 375                              | 0.5             | 0.1                     | 32.0           | 10.0  | 12.0 | 5                             |
| SSCZ47VHD1 | WV      | 47                               | 44.0   | 50.0   | 2               | 170                              | 375                              | 0.5             | 0.1                     | 35.0           | 10.0  | 12.0 | 5                             |
| SSCZ51VHD1 | WW      | 51                               | 48.0   | 54.0   | 2               | 180                              | 400                              | 0.5             | 0.1                     | 38.0           | 10.0  | 12.0 | 5                             |
| SSCZ56VHD1 | XW      | 56                               | 52.0   | 60.0   | 2               | 200                              | 425                              | 0.5             | 0.1                     | 39.0           | 10.0  | 12.0 | 5                             |
| SSCZ62VHD1 | 6E      | 62                               | 58.0   | 66.0   | 2               | 215                              | 450                              | 0.5             | 0.2                     | 47.0           | 10.0  | 12.0 | 5                             |
| SSCZ68VHD1 | 6F      | 68                               | 64.0   | 72.0   | 2               | 240                              | 475                              | 0.5             | 0.2                     | 52.0           | 10.0  | 12.0 | 5                             |

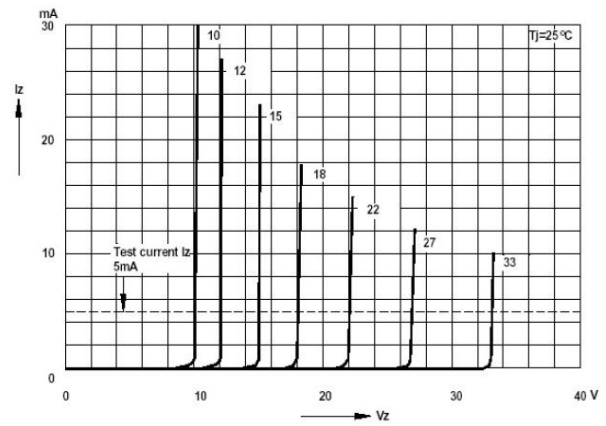


|            |    |    |      |      |   |     |     |     |     |      |      |      |   |
|------------|----|----|------|------|---|-----|-----|-----|-----|------|------|------|---|
| SSCZ75VHD1 | 6H | 75 | 70.0 | 79.0 | 2 | 255 | 500 | 0.5 | 0.2 | 57.0 | 10.0 | 12.0 | 5 |
|------------|----|----|------|------|---|-----|-----|-----|-----|------|------|------|---|

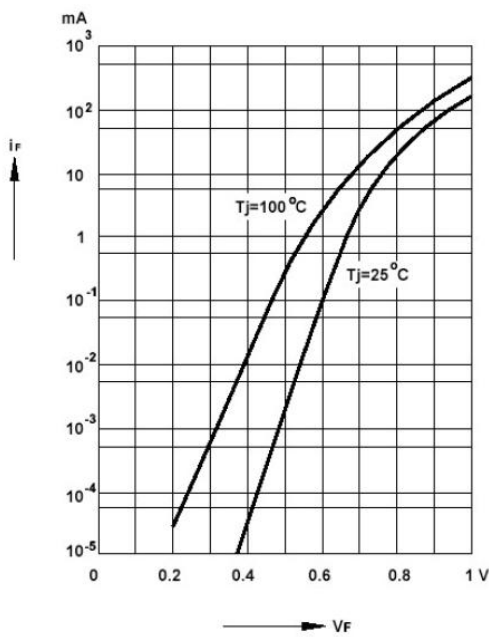
## ● Typical Performance Characteristics



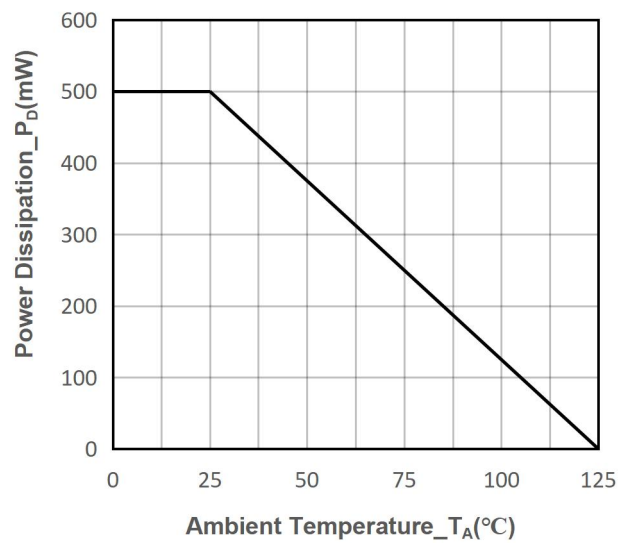
Zener Current vs. Zener Voltage



Zener Current vs. Zener Voltage



Forward Current vs. Forward Voltage



Power Derating vs. Ambient Temperature



## ● Package Information

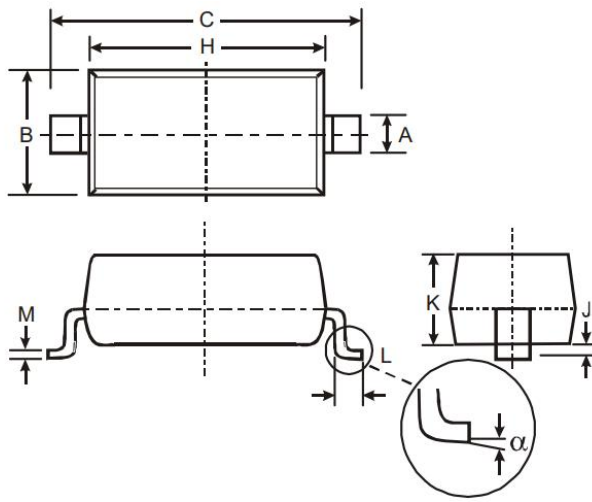
### Ordering Information

| Device     | Package | Qty per Reel | Reel Size |
|------------|---------|--------------|-----------|
| SSCZXXXHD1 | SOD-123 | 3000         | 7 Inch    |

### Mechanical Data

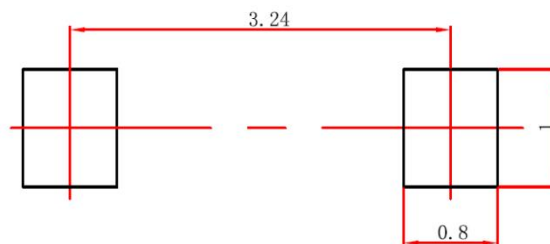
Case:SOD-123

Case Material: Molded Plastic. UL Flammability



| DIM      | Millimeters |      |
|----------|-------------|------|
|          | Min         | Max  |
| A        | 0.45        | 0.65 |
| B        | 1.50        | 1.70 |
| C        | 3.55        | 3.85 |
| H        | 2.6         | 2.8  |
| J        | 0.00        | 0.10 |
| K        | 1.05        | 1.15 |
| L        | 0.25        | 0.45 |
| M        | 0.08        | 0.15 |
| $\alpha$ | 0           | 8°   |

### Recommended Pad outline (Unit:mm)





## DISCLAIMER

SSCSEMI RESERVES THE RIGHT TO MAKE CHANGES WITHOUT FURTHER NOTICE TO ANY PRODUCTS HEREIN TO IMPROVE RELIABILITY, FUNCTION OR DESIGN. SSCSEMI DOES NOT ASSUME ANY LIABILITY ARISING OUT OF THE APPLICATION OR USE OF ANY PRODUCT OR CIRCUIT DESCRIBED HEREIN; NEITHER DOES IT CONVEY ANY LICIENCE UNDER ITS PATENT RIGHTS, NOR THE RIGHTS OF OTHERS.

THE GRAPHS PROVIDED IN THIS DOCUMENT ARE STATISTICAL SUMMARIES BASED ON A LIMITED NUMBER OF SAMPLES AND ARE PROVIDED FOR INFORMATIONAL PURPOSE ONLY. THE PERFORMANCE CHARACTERISTICS LISTED IN THEM ARE NOT TESTED OR GUARANTEED. IN SOME GRAPHS, THE DATA PRESENTED MAY BE OUTSIDE THE SPECIFIED OPERATING RANGE (E.G., OUTSIDE SPECIFIED POWER SUPPLY RANGE ) AND THEREFORE OUTSIDE THE WARRANTED RANGE.

OUR PRODUCT SPECIFICATIONS ARE ONLY VALID IF OBTAINED THROUGH THE COMPANY'S OFFICIAL WEBSITE, CRM SYSTEM, OR OUR SALES PERSONNEL CHANNELS. IF CHANGES OR SPECIAL VERSIONS ARE INVOLVED, THEY MUST BE STAMPED WITH A QUALITY SEAL AND MARKED WITH A SPECIAL VERSION NUMBER TO BE VALID.