

1.2A Bipolar Linear Regulator

➤ Features

- Maximum output current is 1.2A
- Input Voltage Range: 2.5V~24V
- Line regulation: 0.03%/V(typ.)
- Standby current: 2mA (typ.)
- Load regulation: 0.2%/A (typ.)
- Environment Temperature: -20~85(°C)

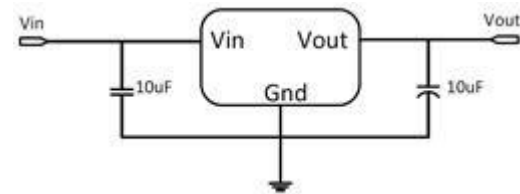
➤ General Description

AF1117 is a series of low dropout three-terminal regulators with a dropout of 1.3V at 1.2A load current. AF1117 features a very low standby current 2mA compared to 5mA of competitor.

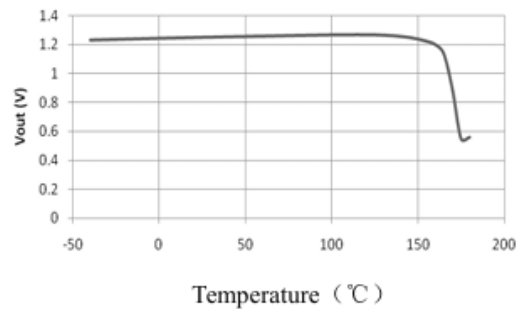
Other than a fixed version, $V_{out} = 1.2V, 1.5V, 1.8V, 2.5V, 3.3V, 5V, \text{ and } 12V$, AF1117 has an adjustable version, which can provide an output voltage from 1.25 to 12V with only two external resistors.

AF1117 offers thermal shut down and current limit functions, to assure the stability of chip and power system. And it uses trimming technique to guarantee output voltage accuracy within 2%. Other output voltage accuracy can be customized on demand, such as 1%. AF1117 is available in SOT-223 package.

➤ Typical Applications



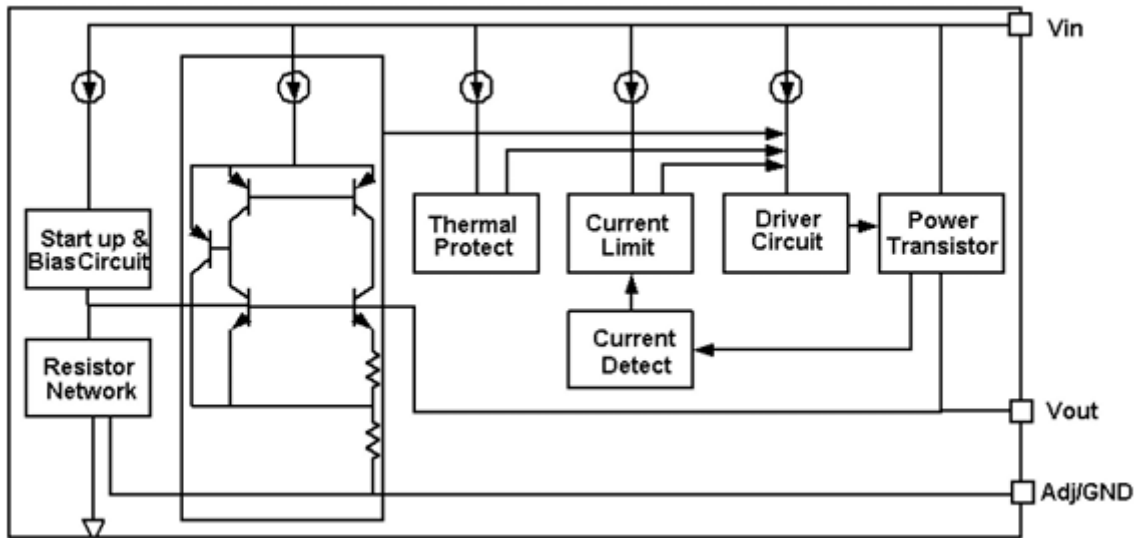
➤ Typical Electrical Characteristic



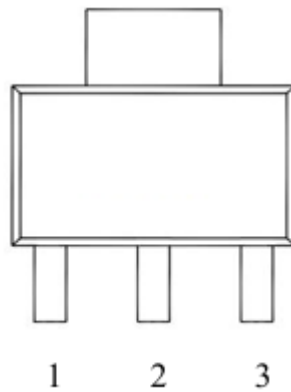
➤ Applications

- Power management for Computer Mother Board, Graphic Card
- LCD Monitor and LCD TV
- DVD Decode Board
- ADSL Modem
- Post Regulators for Switching Supplies

➤ Block Diagram



➤ Pin Configuration



SOT-223

1: V_{SS}/ADJ

2: V_{out}

3: V_{in}

➤ Absolute Maximum Rating

| Parameter | Value |
|---|------------------|
| Max Input Voltage | 24V |
| Max Power Dissipation(P _d) | 1.2 W |
| Max Output Current | 1.2A |
| Recommended operating junction temperature(T _j) | -20~125°C |
| Max Operating Junction Temperature(T _j) | 150°C |
| Ambient Temperature(T _a) | -40°C – 85°C |
| Package Thermal Resistance | SOT-223 20°C / W |
| Storage Temperature(T _s) | -40°C - 150°C |
| Lead Temperature & Time | 260°C, 10s |

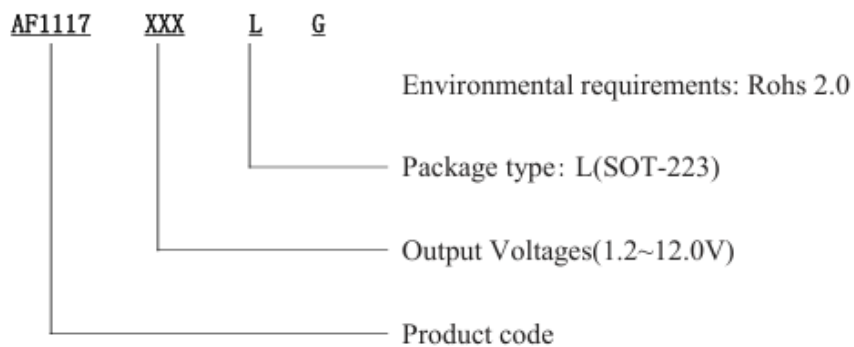
Caution: Exceed these limits to damage to the device. Exposure to absolute maximum rating conditions may affect device reliability.



➤ Selection Table

| Marking | Part No. | Output Voltage | Package/ Shipping |
|--------------------|----------|----------------|------------------------------------|
| AF1117 XXX YYZZ | XXX=1V2 | 1.2V | SOT-223 Tape and Reel 2.5K/Reel |
| | XXX=1V5 | 1.5V | |
| | XXX=1V8 | 1.8V | |
| | XXX=2V5 | 2.5V | |
| | XXX=2V8 | 2.85V | |
| | XXX=3V3 | 3.3V | |
| | XXX=5V0 | 5.0V | |
| | XXX=ADJ | ADJ | |
| | YYZZ | Date code | |

➤ Ordering Information



➤ Electrical Characteristics

| Symbol | Parameter | Conditions | Min | Typ | Max | Unit |
|--------|-------------------|---|-------|------|-------|------|
| Vref | Reference voltage | AF1117-ADJ 10mA ≤ Iout ≤ 1A, Vin = 3.25V | 1.225 | 1.25 | 1.275 | V |
| Vout | Output voltage | AF1117-1.2V 0 ≤ Iout ≤ 1A, Vin = 3.2V | 1.176 | 1.2 | 1.224 | V |
| | | AF1117-1.5V 0 ≤ Iout ≤ 1A, Vin = 3.5V | 1.47 | 1.5 | 1.53 | V |
| | | AF1117-1.8V 0 ≤ Iout ≤ 1A, Vin = 3.8V | 1.764 | 1.8 | 1.836 | V |
| | | AF1117-2.5V 0 ≤ Iout ≤ 1A, Vin = 4.5V | 2.45 | 2.5 | 2.55 | V |
| | | AF1117-2.85V 0 ≤ Iout ≤ 1A, Vin = 4.85V | 2.793 | 2.85 | 2.907 | V |
| | | AF1117-3.3V 0 ≤ Iout ≤ 1A, Vin = 5.3V | 3.234 | 3.3 | 3.366 | V |
| | | AF1117-5.0V 0 ≤ Iout ≤ 1A, Vin = 7.0V | 4.9 | 5 | 5.1 | V |
| | | AF1117-12.0V 0 ≤ Iout ≤ 1A, Vin = 14.0V | 11.76 | 12 | 12.24 | V |



AF1117

| | | | | | | |
|---------------------|-------------------------|--|-----|-----------|-----|--------------|
| ΔV_{out} | Line Regulation | AF1117-1.2V $I_{out}=10mA, 2.7V \leq V_{in} \leq 10V$ | | 0.03 | 0.2 | %/V |
| | | AF1117-1.5V $I_{out}=10mA, 3V \leq V_{in} \leq 12V$ | | 0.03 | 0.2 | %/V |
| | | AF1117-ADJ $I_{out}=10mA, 2.75V \leq V_{in} \leq 12V$ | | 0.03 | 0.2 | %/V |
| | | AF1117-1.8V $I_{out}=10mA, 3.3V \leq V_{in} \leq 12V$ | | 0.03 | 0.2 | %/V |
| | | AF1117-2.5V $I_{out}=10mA, 4.0V \leq V_{in} \leq 12V$ | | 0.03 | 0.2 | %/V |
| | | AF1117-2.85V $I_{out}=10mA, 4.35V \leq V_{in} \leq 12V$ | | 0.03 | 0.2 | %/V |
| | | AF1117-3.3V $I_{out}=10mA, 4.8V \leq V_{in} \leq 12V$ | | 0.03 | 0.2 | %/V |
| | | AF1117-5.0V $I_{out}=10mA, 6.5V \leq V_{in} \leq 12V$ | | 0.03 | 0.2 | %/V |
| ΔV_{out} | Load Regulation | AF1117-1.2V $V_{in}=2.7V, 10mA \leq I_{out} \leq 1A$ | | 2 | 8 | mV |
| | | AF1117-1.5V $V_{in}=2.75V, 10mA \leq I_{out} \leq 1A$ | | 2 | 8 | mV |
| | | AF1117-ADJ $V_{in}=3V, 10mA \leq I_{out} \leq 1A$ | | 3 | 12 | mV |
| | | AF1117-1.8V $V_{in}=3.3V, 10mA \leq I_{out} \leq 1A$ | | 3 | 12 | mV |
| | | AF1117-2.5V $V_{in}=4.0V, 10mA \leq I_{out} \leq 1A$ | | 4 | 16 | mV |
| | | AF1117-2.85V $V_{in}=4.35V, 10mA \leq I_{out} \leq 1A$ | | 5 | 20 | mV |
| | | AF1117-3.3V $V_{in}=4.8V, 10mA \leq I_{out} \leq 1A$ | | 6 | 24 | mV |
| | | AF1117-5.0V $V_{in}=6.5V, 10mA \leq I_{out} \leq 1A$ | | 9 | 36 | mV |
| V_{drop} | Dropout voltage | $I_{out}=100mA$ | | 1.23 | 1.3 | V |
| | | $I_{out}=1A$ | | 1.3 | 1.5 | V |
| I_{limit} | Current limit | $V_{in}-V_{out}=2V; T_j=25^\circ C$ | 1.1 | 1.2 | | A |
| I_{min} | Minimum load current | AF1117-ADJ | | 2 | 10 | mA |
| I_q | Quiescent Current | AF1117-1.2V, $V_{in}=10V$ | | 2 | 5 | mA |
| | | AF1117-1.5V, $V_{in}=12V$ | | 2 | 5 | mA |
| | | AF1117-1.8V, $V_{in}=12V$ | | 2 | 5 | mA |
| | | AF1117-2.5V, $V_{in}=12V$ | | 2 | 5 | mA |
| | | AF1117-2.85V, $V_{in}=12V$ | | 2 | 5 | mA |
| | | AF1117-3.3V, $V_{in}=12V$ | | 2 | 5 | mA |
| | | AF1117-5.0V, $V_{in}=12V$ | | 2 | 5 | mA |
| I_{Adj} | Adjust pin current | AF1117-ADJ $V_{in}=5V, 10mA \leq I_{out} \leq 1A$ | | 55 | 120 | μA |
| PSRR | 1117 | $f=100Hz, C_{out}=104$ | | -65 | | dB |
| | | $f=1KHz, C_{out}=104$ | | -65 | | dB |
| | | $f=10KHz, C_{out}=104$ | | -60 | | dB |
| | | $f=22KHz, C_{out}=104$ | | -57 | | dB |
| I_{change} | $I_{adjchange}$ | AF1117-ADJ $V_{in}=5V, 10mA \leq I_{out} \leq 1A$ | | 0.2 | 10 | μA |
| $\Delta V/\Delta T$ | Temperature coefficient | | | ± 100 | | ppm |
| θ_{JC} | Thermal resistance | SOT-223 | | 20 | | $^\circ C/W$ |

Note1: All test are conducted under ambient temperature 25°C and within a short period of time 20ms

Note2: Load current smaller than minimum load current of AF1117-ADJ will lead to unstable or oscill

➤ Detailed Description

AF1117 is a series of low dropout voltage, three terminal regulators. Its application circuit is very simple: the fixed version only needs two capacitors and the adjustable version only needs two resistors and two capacitors to work. It is composed of some modules including start-up circuit, bias circuit, bandgap, thermal shutdown, current limit, power transistors and its driver circuit and so on.

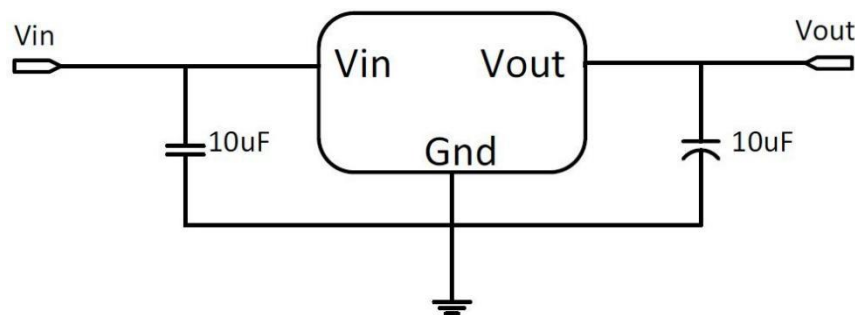
The thermal shut down modules can assure chip and its application system working safety when the junction temperature is larger than 140°C.

The bandgap module provides stable reference voltage, whose temperature coefficient is compensated by careful design considerations. The temperature coefficient is under 100 ppm/°C. And the accuracy of output voltage is guaranteed by trimming techniqu

➤ Typical Application

AF1117 has an adjustable version and six fixed versions (1.2V,1.5V, 1.8V, 2.5V, 2.85V, 3.3V and 5V)

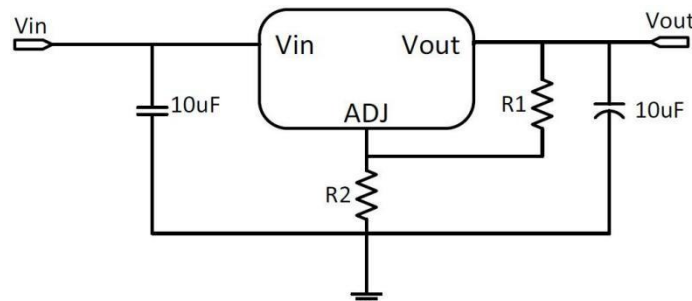
Fixed Output Voltage Version



Application circuit of AF1117 fixed version

- 1) Recommend using 10uF tan capacitor as bypass capacitor (C1) for all application circuit.
- 2) Recommend using 10uF tan capacitor to assure circuit stability.

Adjustable Output Voltage Version



Application Circuit of AF1117-ADJ



The output voltage of adjustable version follows the equation: $V_{out}=1.25\times(1+R_2/R_1)+I_{Adj}\times R_2$. We can ignore I_{Adj} because I_{Adj} (about 50uA) is much less than the current of R_1 (about 2~10mA).

1) To meet the minimum load current (>10mA) requirement, R_1 is recommended to be 125ohm or lower. As AF1117-ADJ can keep itself stable at load current about 2mA, R_1 is not allowed to be higher than 625ohm.

2) Using a bypass capacitor (C_{ADJ}) between the ADJ pin and ground can improve ripple rejection. This bypass capacitor prevents ripple from being amplified as the output voltage is increased. The impedance of C_{ADJ} should be less than R_1 to prevent ripple from being amplified. As R_1 is normally in the range of 100Ω~500Ω, the value of C_{ADJ} should satisfy this equation: $1/(2\pi\times f_{ripple}\times C_{ADJ})<R_1$.

➤ Thermal Considerations

We have to take heat dissipation into great consideration when output current or differential voltage of input and output voltage is large. Because in such cases, the power dissipation consumed by AF1117 is very large. AF1117 series uses SOT-223 package type and its thermal resistance is about 20°C/W. And the copper area of application board can affect the total thermal resistance. If copper area is 5cm*5cm (two sides), the resistance is about 30°C/W. So the total thermal resistance is about 20°C/W + 30°C/W. We can decrease total thermal resistance by increasing copper area in application board. When there is no good heat dissipation copper are in PCB, the total thermal resistance will be as high as 120°C/W, then the power dissipation of AF1117 could allow on itself is less than 1W. And furthermore, AF1117 will work at junction temperature higher than 125°C under such condition and no lifetime is guaranteed.

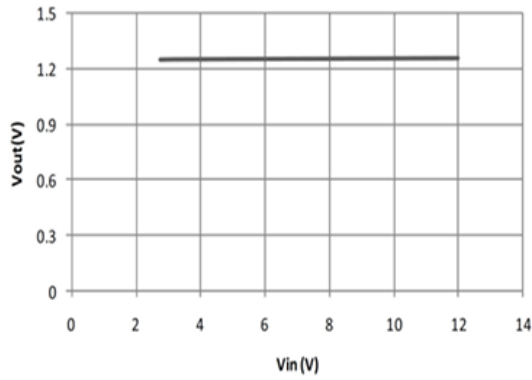


➤ **Typical Performance Characteristics**

T=25°C unless specified.

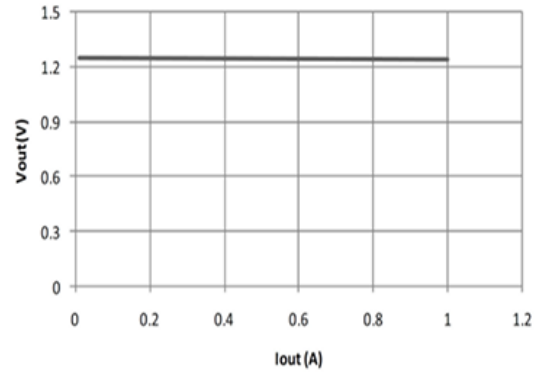
Line Regulation

AF1117-ADJ Vout Vs. Vin



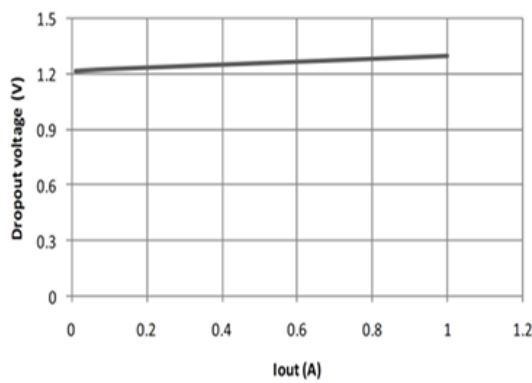
Load Regulation

AF1117-ADJ Vout Vs. Iout



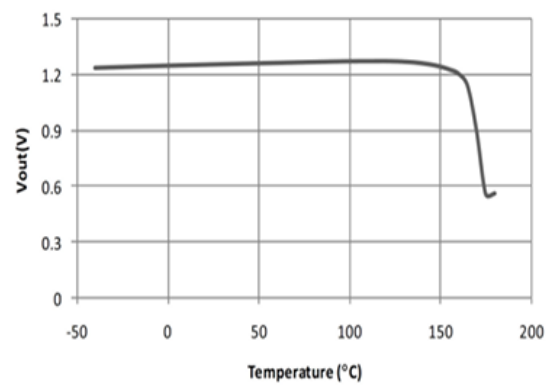
Dropout Voltage

AF1117-ADJ Dropout Vs. Iout

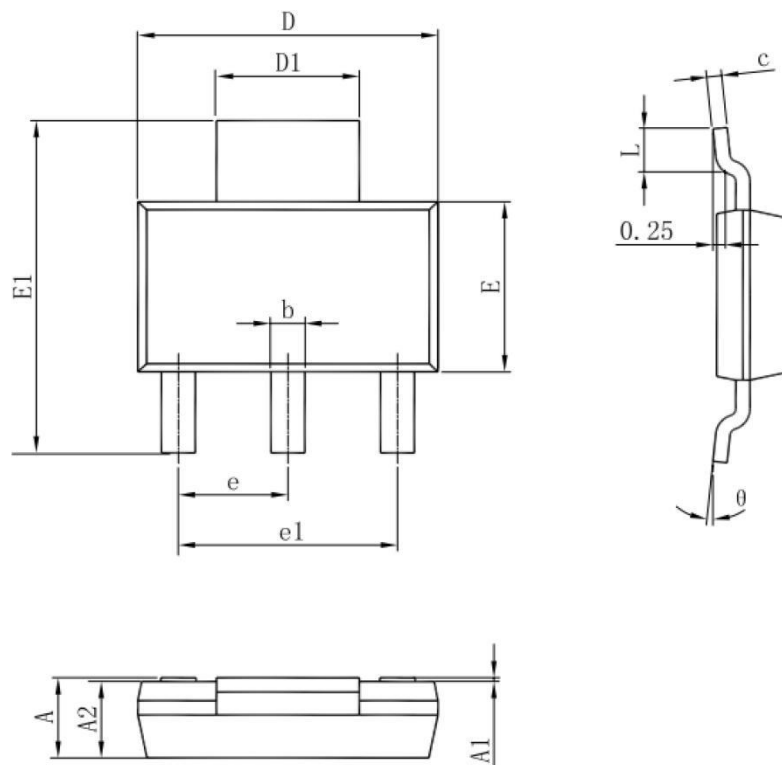


Thermal performance with OTP

AF1117-ADJ Vout Vs. Temp



➤ Package Information

SOT-223


| Symbol | Dimensions In Millimeters | | Dimensions In Inches | |
|--------|---------------------------|-------|----------------------|-------|
| | Min | Max | Min | Max |
| A | 1.520 | 1.800 | 0.060 | 0.071 |
| A1 | 0.000 | 0.100 | 0.000 | 0.004 |
| A2 | 1.500 | 1.700 | 0.059 | 0.067 |
| b | 0.660 | 0.820 | 0.026 | 0.032 |
| c | 0.250 | 0.350 | 0.010 | 0.014 |
| D | 6.200 | 6.400 | 0.244 | 0.252 |
| D1 | 2.900 | 3.100 | 0.114 | 0.122 |
| E | 3.300 | 3.700 | 0.130 | 0.146 |
| E1 | 6.830 | 7.070 | 0.269 | 0.278 |
| e | 2.300(BSC) | | 0.091(BSC) | |
| e1 | 4.500 | 4.700 | 0.177 | 0.185 |
| L | 0.900 | 1.150 | 0.035 | 0.045 |
| Θ | 0° | 10° | 0° | 10° |



DISCLAIMER

SSCSEMI RESERVES THE RIGHT TO MAKE CHANGES WITHOUT FURTHER NOTICE TO ANY PRODUCTS HEREIN TO IMPROVE RELIABILITY, FUNCTION OR DESIGN. SSCSEMI DOES NOT ASSUME ANY LIABILITY ARISING OUT OF THE APPLICATION OR USE OF ANY PRODUCT OR CIRCUIT DESCRIBED HEREIN; NEITHER DOES IT CONVEY ANY LICIENCE UNDER ITS PATENT RIGHTS, NOR THE RIGHTS OF OTHERS.

THE GRAPHS PROVIDED IN THIS DOCUMENT ARE STATISTICAL SUMMARIES BASED ON A LIMITED NUMBER OF SAMPLES AND ARE PROVIDED FOR INFORMATIONAL PURPOSE ONLY. THE PERFORMANCE CHARACTERISTICS LISTED IN THEM ARE NOT TESTED OR GUARANTEED. IN SOME GRAPHS, THE DATA PRESENTED MAY BE OUTSIDE THE SPECIFIED OPERATING RANGE (E.G., OUTSIDE SPECIFIED POWER SUPPLY RANGE) AND THEREFORE OUTSIDE THE WARRANTED RANGE.