

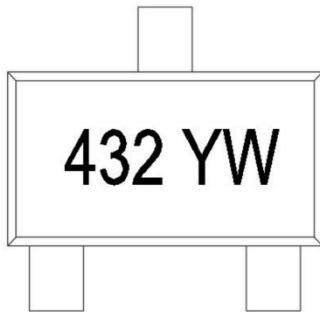
SSC432 Precision Programmable Reference
Description

The SSC432 are three-terminal adjustable shunt regulators with guaranteed thermal stability over a full operation range. It features sharp turn-on characteristics, low temperature coefficient and low output impedance, which make it ideal substitutes for Zener diodes in applications such as switching power supply, charger and other adjustable regulators.

The output voltage of SSC432 can be set to any value between V_{ref} (1.25V) and the corresponding maximum cathode voltage (18V). This IC are available in SOT-23 package.

Applications

- Charger
- Shunt Regulator
- Precision Current Limiter
- High-Current Shunt Regulator

Device Information


Top view

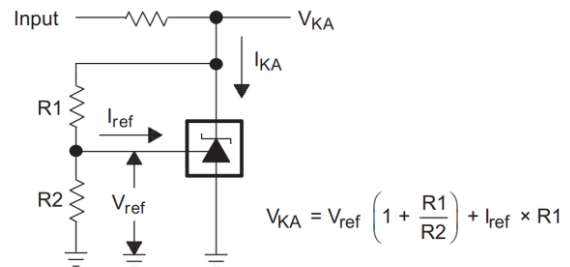
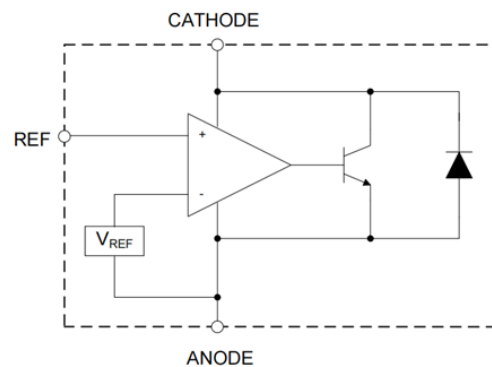
Marking (Y: year/W: week)

Ordering Information

Marking	Product	Package	Tape and Reel
432 YW	SSC432	SOT23	3000 pcs

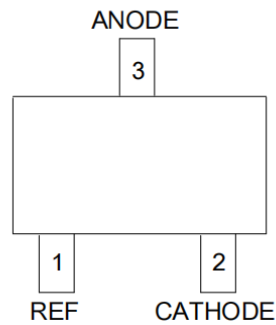
Features

- Adjustable output voltage: 1.25V to 18 V
- Wide Operating Range of -40°C to 125°C
- Low Equivalent Full-range Temperature Coefficient with 20 PPM/ $^{\circ}\text{C}$ Typical
- Low Output Noise
- Low Dynamic Output Resistance: 0.05Ω Typical
- Sink-current capability: 1.0 mA to 100 mA

Typical Application

Functional Block Diagram


Pin Configuration

(Top View)



SSC432

Pin configuration

SSC432	Symbol	Description
1	REF	Threshold relative to common anode
2	CATHODE	Shunt Current/Voltage input
3	ANODE	Common pin, normally connected to ground

Absolute Maximum Ratings⁽¹⁾

(Unless otherwise specified, all voltage are with respect to GND, TA=25°C)

Symbol	Parameter	Rating	Unit
V _{KA}	Cathode Voltage ⁽²⁾	20	V
I _{KA}	Cathode Current Range (Continuous)	-100 to 100	mA
I _{REF}	Reference Input Current Range	10	mA
P _D	Power Dissipation ⁽³⁾	370	mW
T _J	Junction Temperature	+150	° C
T _{opr}	Operating Temperature	-40 to +125	° C
T _{STG}	Storage Temperature Range	-65 to +150	° C

(1). Stresses beyond those listed under absolute maximum ratings may cause permanent damage to the device. These are stress ratings only, and functional operation of the device at these or any other conditions beyond those indicated under recommended operating conditions is not implied. Exposure to absolute-maximum-rated conditions for extended periods may affect device reliability.

(2) All voltage values are with respect to ANODE, unless otherwise noted.

(3) Maximum power dissipation is a function of T_{J(max)}, θ_{JA}, and T_A. The maximum allowable power dissipation at any allowable ambient temperature is P_D = (T_{J(max)} - T_A)/θ_{JA}. Operating at the absolute maximum T_J of 150°C can affect reliability.



Recommend Operating Conditions

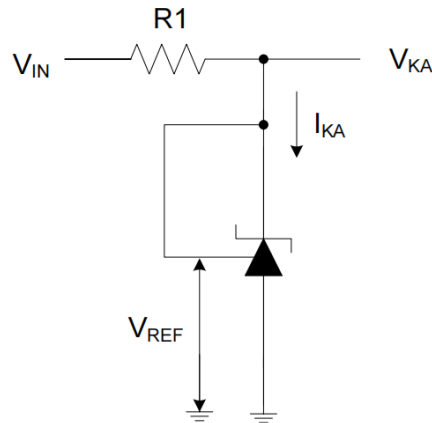
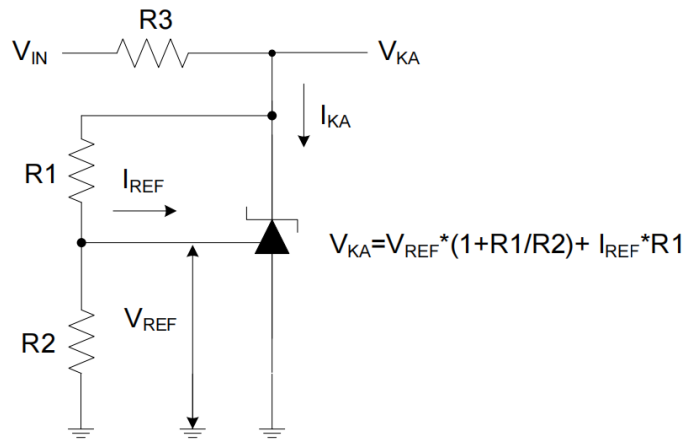
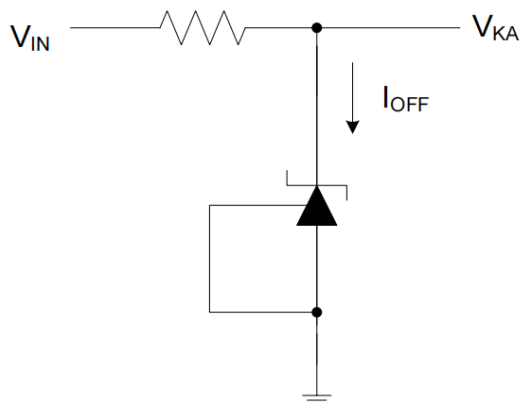
($T_A=25^{\circ}\text{C}$, unless otherwise noted)

Symbol	Parameter	Min	Max	Unit
V_{KA}	Cathode Voltage	V_{REF}	18	V
I_{KA}	Cathode Current	1.0	100	mA

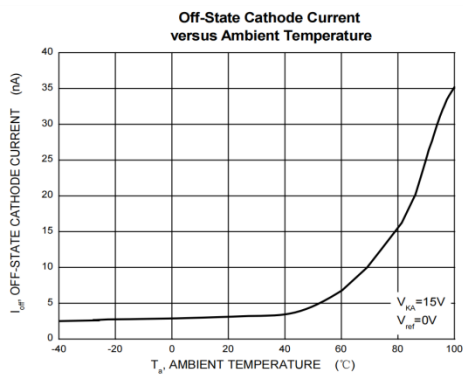
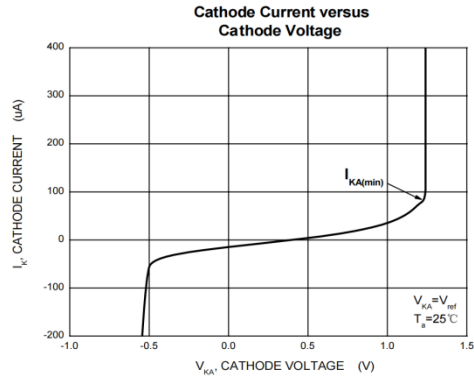
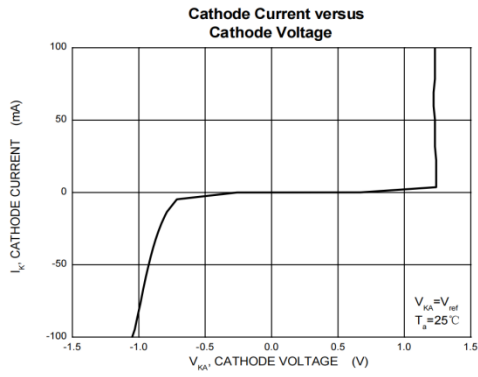
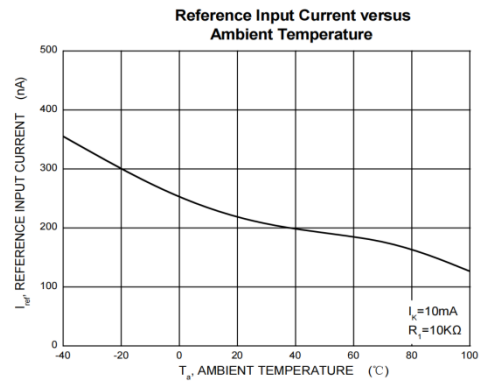
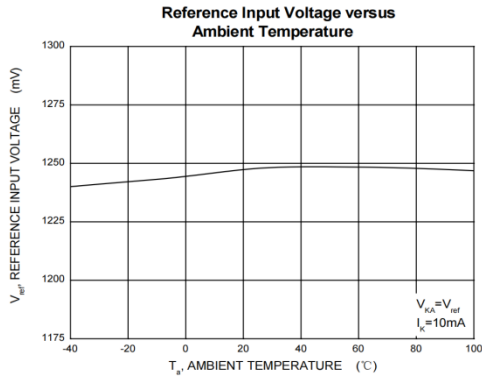
Electrical Characteristics

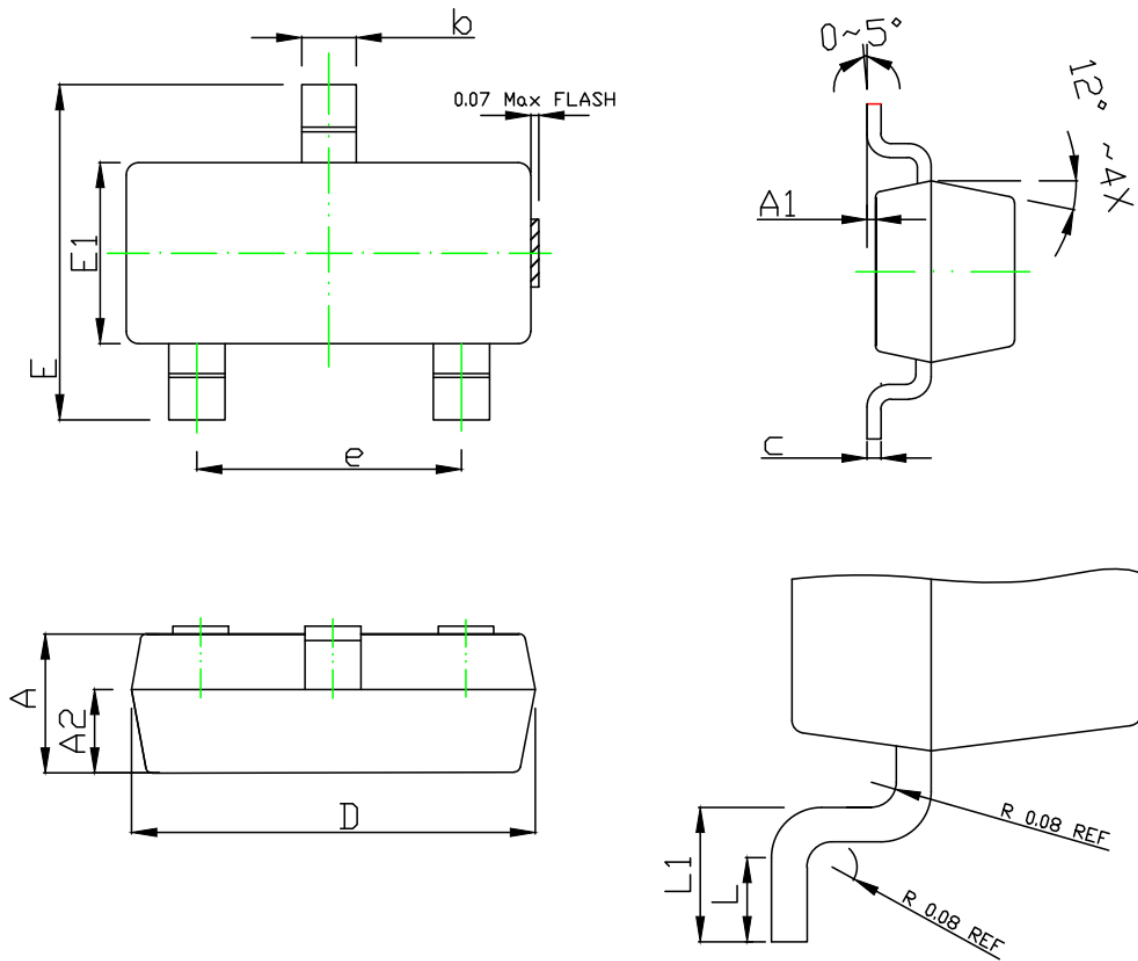
Over recommended operating conditions, $T_A = 25^{\circ}\text{C}$ (unless otherwise noted)

Symbol	Parameter	Test Circuit	Conditions	Min	Typ	Max	Unit
V_{REF}	Reference Voltage	4	$V_{KA}=V_{REF}, I_{KA}=10\text{mA}$	1.238	1.25	1.262	V
ΔV_{REF}	Deviation of Reference Voltage Over Full Temperature Range	4	$V_{KA}=V_{REF}, I_{KA}=10\text{mA}$ $T_A = -40$ to $+125^{\circ}\text{C}$	–	4	15	mV
$\frac{\Delta V_{REF}}{\Delta V_{KA}}$	Ratio of Change in reference Voltage to the Change in Cathode Voltage	5	$I_{KA}=10\text{mA}$ $\Delta V_{KA}=18\text{V}$ to V_{REF}	–	-0.5	-1.5	mV/V
I_{REF}	Reference Current	5	$I_{KA}=10\text{mA}$, $R_1=10\text{K}$, $R_2=\infty$	–	0.15	0.4	μA
ΔI_{REF}	Deviation of Reference Current Over Full Temperature Range	5	$I_{KA}=10\text{mA}$, $R_1=10\text{K}$, $R_2=\infty$, $T_A = -40$ to $+125^{\circ}\text{C}$	–	0.1	0.4	μA
I_{KA} (Min)	Minimum Cathode Current for Regulation	4	$V_{KA} = V_{REF}$	–	55	80	μA
I_{KA} (Off)	Off-state Cathode Current	6	$V_{KA} = 18\text{V}$, $V_{REF} = 0$	–	0.04	0.1	μA
Z_{KA}	Dynamic Impedance	4	$V_{KA}=V_{REF}, I_{KA}=1$ to 100mA , $f \leq 1.0\text{KHz}$	–	0.05	0.15	Ω
θ_{JA}	Thermal Resistance	–	SOT-23	–	337	–	$^{\circ}\text{C}/\text{W}$

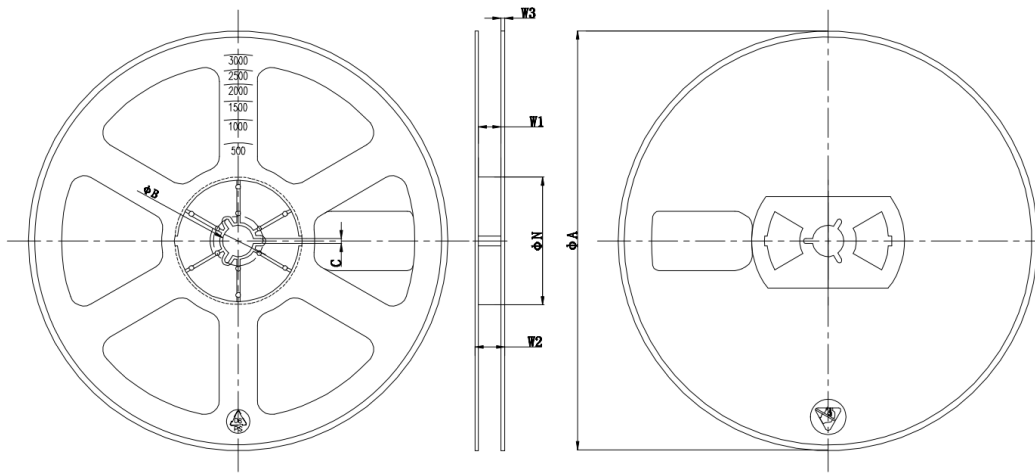
Typical Applications Circuit

 Test Circuit 4 for $V_{KA}=V_{REF}$

 Test Circuit 5 for $V_{KA} > V_{REF}$

 Test Circuit 6 for I_{OFF}

Typical characteristic

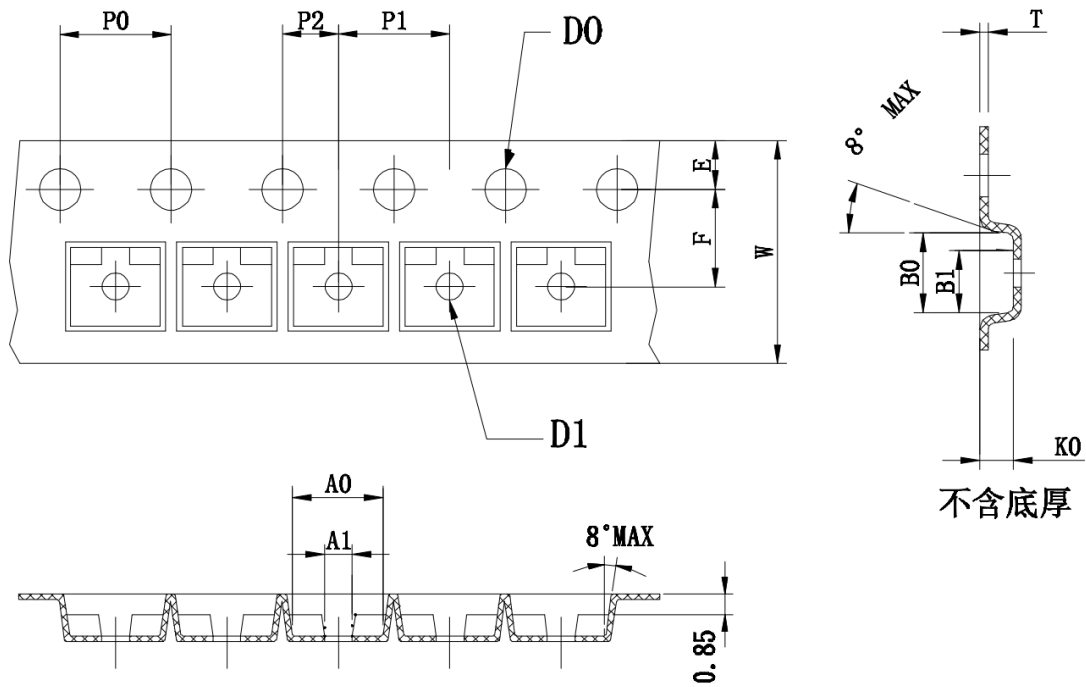


Package Outline


SYMBOL	MILLIMETER		
	MIN	NOM	MAX
A	0.95	1.00	1.05
A1	0.01	0.05	0.10
b	0.35	0.40	0.45
c	0.11 BSC		
D	2.80	2.90	3.00
E	2.30	2.40	2.50
E1	1.20	1.30	1.40
e	1.90 BSC		
L	0.20	-	-
L1	0.30	0.40	0.50
A2	0.60 REF		

Tape and Reel


ϕA	ϕN	ϕB	C	W1	W2	W3
178 ± 2	54 ± 2	13.2 ± 0.3	2.2 ± 0.3	9.5 ± 1	13 _{max}	1.4 ± 0.4



Symbol	A0	A1	B0	B1	K0	D0	D1	P0
Spec	3.15 ± 0.10	1.15 ± 0.10	2.80 ± 0.10	2.15 ± 0.10	1.30 ± 0.10	1.55 ± 0.10	1.10 ± 0.10	4.00 ± 0.10
Symbol	P1	W	E	P2	T	$10 * P0$	F	
Spec	4.00 ± 0.10	8.00 ± 0.10	1.75 ± 0.10	2.00 ± 0.10	0.21 ± 0.02	40.00 ± 0.10	3.50 ± 0.10	



DISCLAIMER

SSCSEMI RESERVES THE RIGHT TO MAKE CHANGES WITHOUT FURTHER NOTICE TO ANY PRODUCTS HEREIN TO IMPROVE RELIABILITY, FUNCTION OR DESIGN. SSCSEMI DOES NOT ASSUME ANY LIABILITY ARISING OUT OF THE APPLICATION OR USE OF ANY PRODUCT OR CIRCUIT DESCRIBED HEREIN; NEITHER DOES IT CONVEY ANY LICENCE UNDER ITS PATENT RIGHTS, NOR THE RIGHTS OF OTHERS.

THE GRAPHS PROVIDED IN THIS DOCUMENT ARE STATISTICAL SUMMARIES BASED ON A LIMITED NUMBER OF SAMPLES AND ARE PROVIDED FOR INFORMATIONAL PURPOSE ONLY. THE PERFORMANCE CHARACTERISTICS LISTED IN THEM ARE NOT TESTED OR GUARANTEED. IN SOME GRAPHS, THE DATA PRESENTED MAY BE OUTSIDE THE SPECIFIED OPERATING RANGE (E.G. OUTSIDE SPECIFIED POWER SUPPLY RANGE) AND THEREFORE OUTSIDE THE WARRANTED RANGE.